

GILDAN[®]

EVERYDAY MASKS*

*NON-MEDICAL GRADE





GEMASK / GEMASKB: GILDAN ADULT + YOUTH EVERYDAY MASK

**NON-MEDICAL GRADE

Comfortable for daily wear. The covered elasticized bridge and ear loops of the mask adds shape and provides a stay put fit. A pleated chin, anchors the mask to reduce the need to adjust and reposition on your face. Made of lightweight fabric, perfect for decorating with your brand, company, school logo or creative art.

FABRIC:

2-Ply 4.5oz/150gm² 100% Ring Spun Cotton
Tight Knit Jersey with silver

TRIM/EAR LOOPS:

4.5oz/150gm² 100% Ring Spun Cotton Covered Elastic

The Everyday Mask is treated with an antimicrobial agent that contains silver to control odors and does not claim to provide any antiviral or infection prevention/reduction or make any filtration claims.

CARE INSTRUCTIONS:

Recommend washing before using. Machine washable up to 60C/140F max 10 washes

COLORS: Black + White

RECOMMENDED DECORATION:

Screenprint, Heat Transfer, Embroidery, Pad Print

Printable Area: Adult-5.75" x 3.75" / Youth- 5" x 3"

GEMASKB- AGES 6-12/CPSIA Compliant

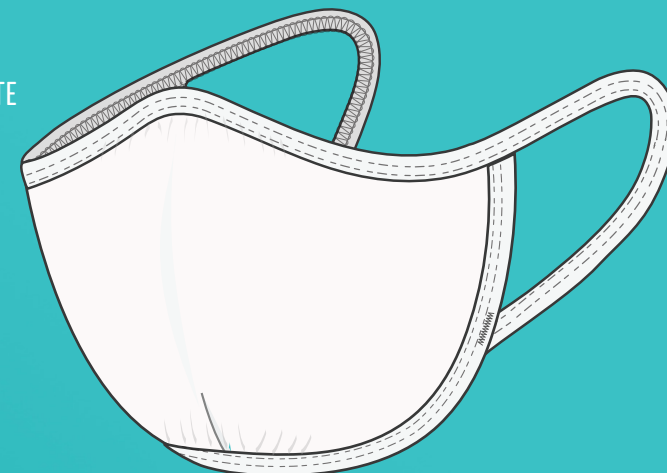
DISCLAIMER:

- For use only in low or minimal risk patient isolation situations.
- Not intended for use during surgical procedures, invasive procedures, or where significant exposure to liquid, bodily, or hazardous fluids may be expected.
- Warning! Choking hazard. Not for children under the age of 3. Adult supervision required at all times
- If skin irritation occurs, immediately stop using the face covering. If irritation persists consult your primary care provider. Remove when damp, soiled, or damaged or if breathing is difficult

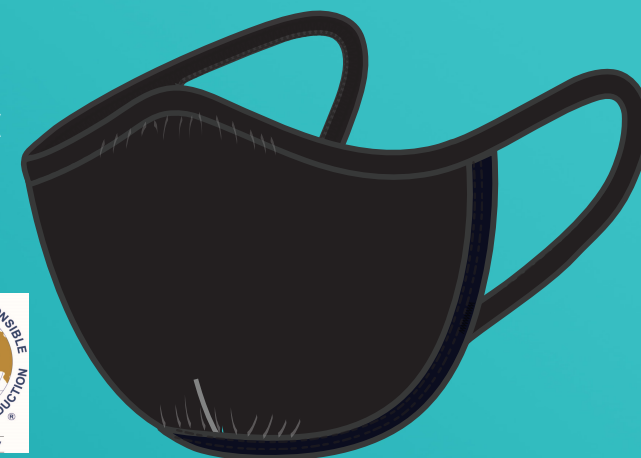
CENTER FOR DISEASE CONTROL RECOMMENDATIONS:

- The CDC recommends wearing a face covering as one way to address the spread of COVID-19. The CDC recommends that social distancing, handwashing, and other recommendations be followed even when face coverings are worn. For more information, please visit www.cdc.gov.
- Individuals with lung disease like emphysema, or chronic heart disease, should only use this product in consultation with, and as advised by, a primary care physician or other qualified health professionals.
- Stop using this product if you notice difficulty breathing while wearing it.

WHITE



BLACK





EVERYDAY MASK DIMENSIONS /HOW TO WEAR



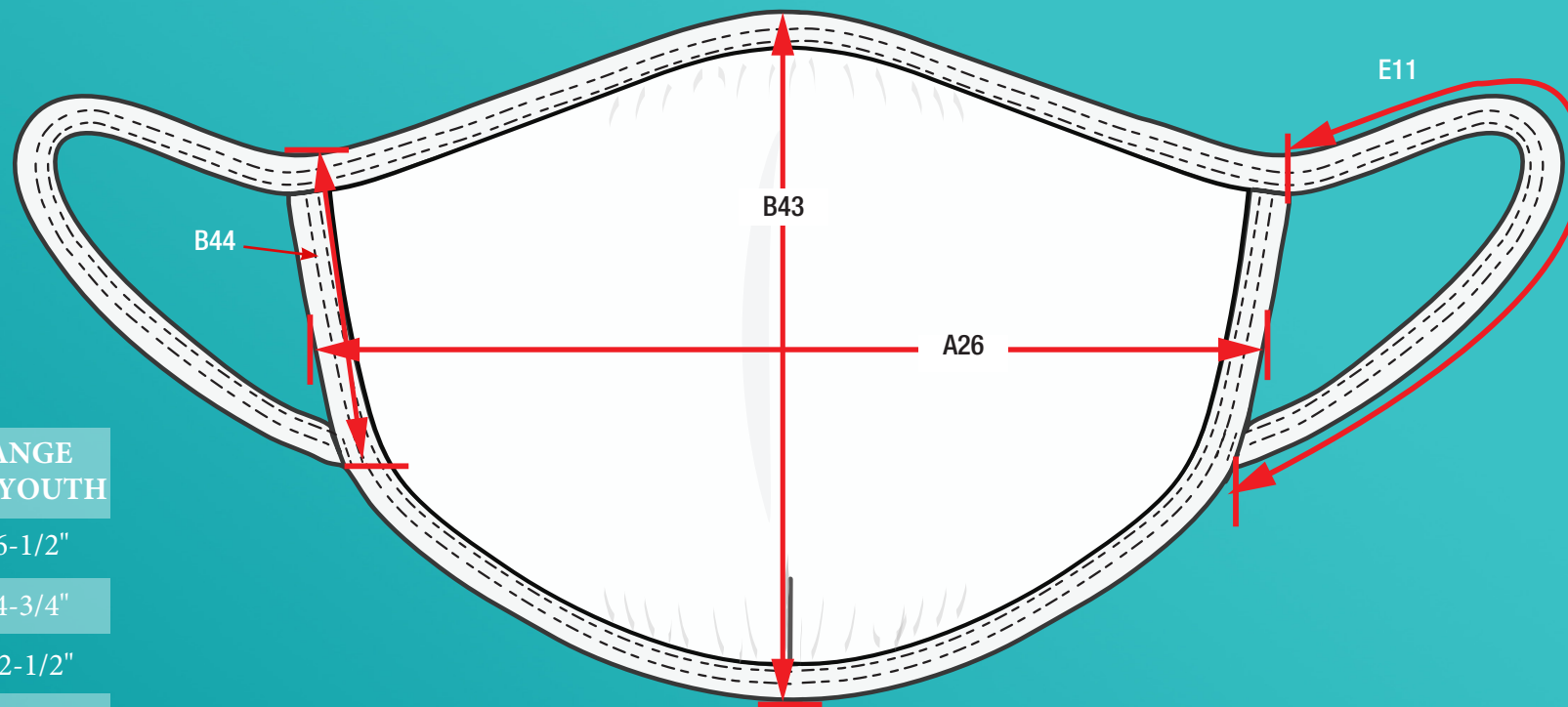
Wash hands before wearing. Place one ear through the elastic earloop.



Gently pull the mask to cover the mouth and nose. Place the other ear through the earloop.



Mask should have a snug, but comfortable fit across the face and dart support on the chin.



CODE	DIMENSIONS - SIZE	SIZE RANGE	
		ADULT	YOUTH
A26	MASK WIDTH (AT CENTER)	8-1/4"	6-1/2"
B43	LENGTH AT CENTER	6-1/2"	4-3/4"
B44	LENGTH AT SIDE	2-1/2"	2-1/2"
E11	EAR LOOP (STRAP TOTAL)	7"	6"

GILDAN®

EVERYDAY MASK DIMENSIONS (cm) / HOW TO WEAR



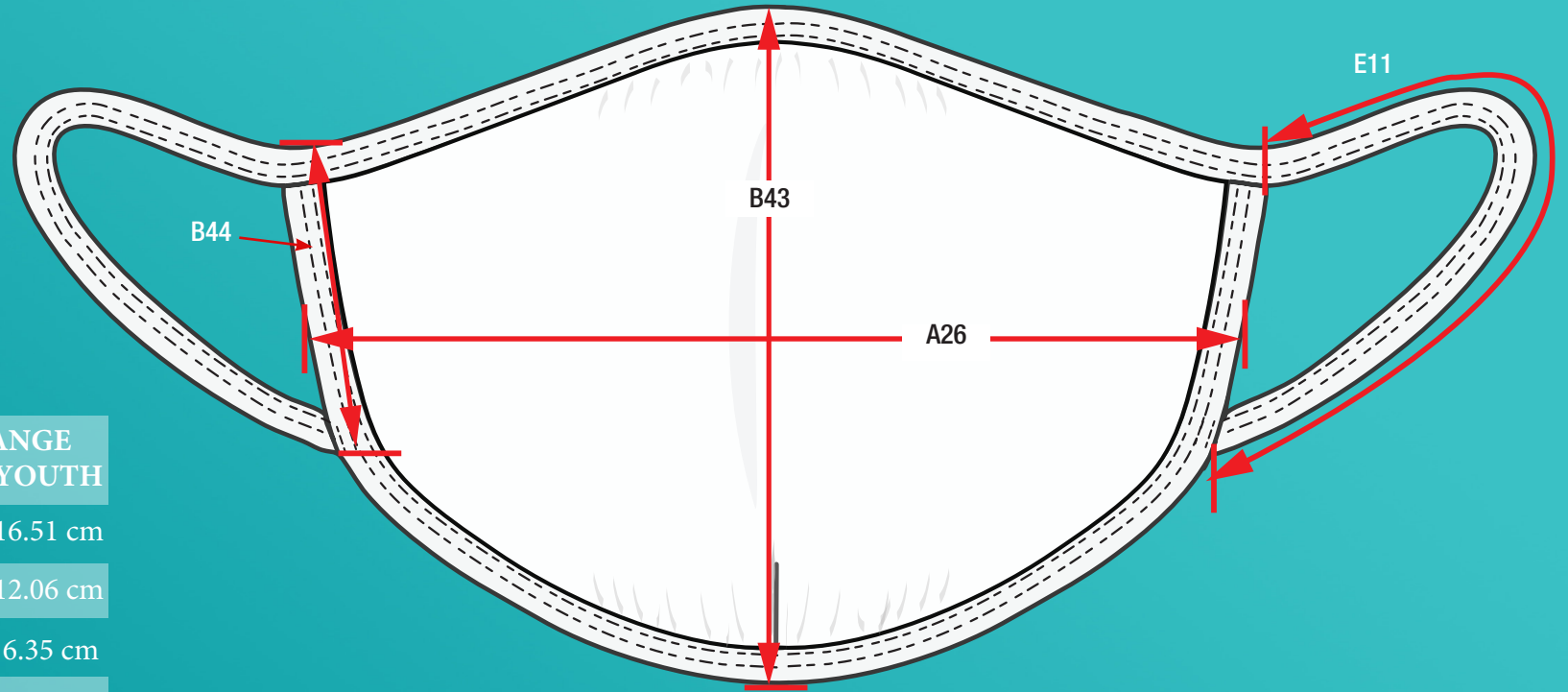
Wash hands before wearing. Place one ear through the elastic earloop.



Gently pull the mask to cover the mouth and nose. Place the other ear through the earloop.



Mask should have a snug, but comfortable fit across the face and dart support on the chin.



CODE	DIMENSIONS - SIZE	SIZE RANGE	
		ADULT	YOUTH
A26	MASK WIDTH (AT CENTER)	20.95 cm	16.51 cm
B43	LENGTH AT CENTER	15.88 cm	12.06 cm
B44	LENGTH AT SIDE	6.35 cm	6.35 cm
E11	EAR LOOP (STRAP TOTAL)	17.78 cm	15.24 cm



EVERYDAY MASK PACKAGING METHOD

PACKAGING METHOD

GEMASK ADULT 432 EVERYDAY MASKS PER BOX

- 24 PIECES PER HEAT SEAL POLYBAG
- 6 INNERPACKS PER LAYER
- 3 LAYERS PER BOX
- 18 INNERPACKS PER BOX

GEMASKB YOUTH 576 EVERYDAY MASKS PER BOX

- 24 PIECES PER HEAT SEAL POLYBAG
- 8 INNERPACKS PER LAYER
- 3 LAYERS PER BOX
- 24 INNERPACKS PER BOX

GEMASK - GILDAN® Adult Everyday Mask
GEMASK - GILDAN® Masque à usage quotidien pour adulte

 Lot:xxxxxxx
05/20

• Not intended for use in a surgical setting or where the infection risk level through inhalation exposure is high, or in high risk aerosol generating procedures. Not for use where FDA-cleared products are available. / Non destiné à une utilisation dans un cadre chirurgical, lorsque le risque d'infection par inhalation est élevé, ou durant des interventions générant des aérosols à haut risque. Ne pas utiliser lorsque des produits homologués par la FDA sont disponibles.

• Fabric Content: 90% cotton / 10% cotton covered elastane / Composition: 90% coton / 10% élasthanne recouvert de coton

• ⚠ Warning! Choking hazard. Not for children under the age of 3. / ⚠ Attention! Danger d'étouffement. Non destiné aux enfants de moins de 3 ans.

• 24 masks / 24 masques

• Made in Nicaragua / Fabriqué au Nicaragua


• Gildan Activewear SRL, Newton Christ Church, Barbados BB17047

• Imported into EU by: / Importé en UE par: Gildan Activewear (UK)
Ltd 5 New Street Square London, United Kingdom EC4A 3TW
Reg. #03929879

ASTM  ISO 

 1 92370 50772 9

GEMASKB - GILDAN® Youth Everyday Mask
GEMASKB - GILDAN® Masque à usage quotidien pour enfant

 Lot:xxxxxxx
05/20

• Not intended for use in a surgical setting or where the infection risk level through inhalation exposure is high, or in high risk aerosol generating procedures. Not for use where FDA-cleared products are available. / Non destiné à une utilisation dans un cadre chirurgical, lorsque le risque d'infection par inhalation est élevé, ou durant des interventions générant des aérosols à haut risque. Ne pas utiliser lorsque des produits homologués par la FDA sont disponibles.

• Fabric Content: 90% cotton / 10% cotton covered elastane / Composition: 90% coton / 10% élasthanne recouvert de coton



• ⚠ Warning! Choking hazard. Not for children under the age of 3. / ⚠ Attention! Danger d'étouffement. Non destiné aux enfants de moins de 3 ans.


• 24 masks / 24 masques

• Made in Nicaragua / Fabriqué au Nicaragua

• Gildan Activewear SRL, Newton Christ Church, Barbados BB17047

• Imported into EU by: / Importé en UE par: Gildan Activewear (UK)
Ltd 5 New Street Square London, United Kingdom EC4A 3TW
Reg. #03929879

ASTM  ISO 

 1 92370 51319 5

